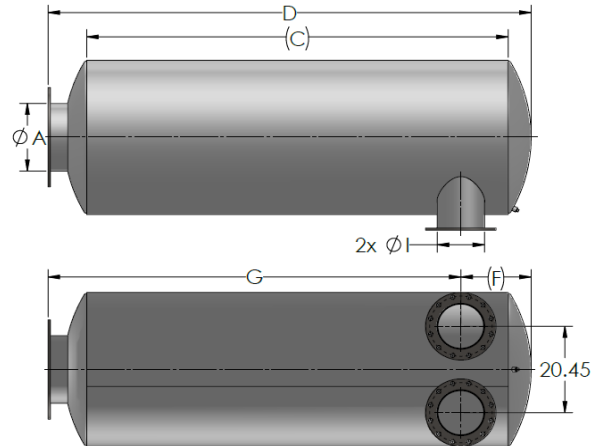
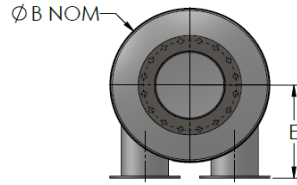


**ADVANCED EXHAUST SOLUTIONS**

**Application**

AES Caterpillar engine specific cylindrical silencers offer broad range acoustic performance in a heavy duty, compact package. AES Caterpillar engine specific cylindrical silencers are designed to the unique exhaust and performance requirements of your Caterpillar application.



Part Number (Click for PDF)	Engine	Inlet Configuration	Inlet Size (I)	Outlet Size (A)	Body Diameter (B)	Body Length (C)	OAL (D)	Spread	E	F	G	Weight	DXF	STEP
000-010-221	C7.1	Single	5	6	18	96	104	---	13	8	96	382	DXF	STEP
000-010-222	C9	Single	6	8	18	96	104	---	13	8	96	439	DXF	STEP
000-010-223	C15	Single	8	10	26	120	132	---	17	12	120	814	DXF	STEP
000-010-224	C18	Single	8	10	26	120	132	---	17	12	120	768	DXF	STEP
000-010-225	C27	Single	10	12	30	132	144	---	19	12	132	984	DXF	STEP
000-010-226	C32	Single	10	16	30	132	144	---	19	12	132	1339	DXF	STEP
000-010-227	3512C	Dual	8	18	36	144	158	20.45	22	16	142	1891	DXF	STEP
000-010-228	3516C	Dual	10	20	42	156	172	20.45	25	18	154	2345	DXF	STEP
000-010-229	3516C-HD	Dual	12	20	42	156	172	20.45	25	18	154	2352	DXF	STEP
000-010-030	C175-16	Single	20	26	48	168	186	---	28	20	166	3513	DXF	STEP
000-010-231	C175-20	Dual	18*	28	54	180	198	38.50	31	22	176	4172	DXF	STEP

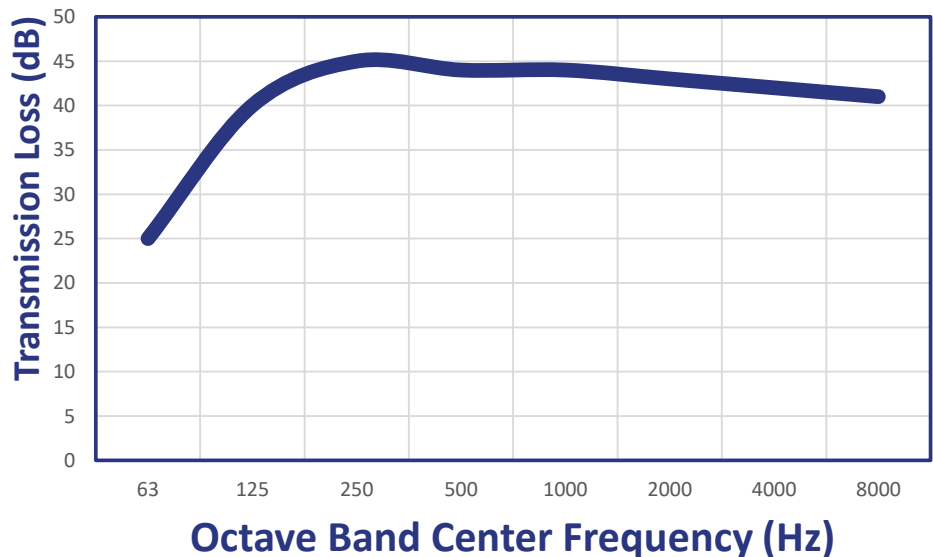
All silencers are designed to accommodate the engine specific turbo outlet spread, unless otherwise noted.

All dimensions are in inches, all weights are in pounds and are approximate.

Overall insertion loss is approximate, and is system dependent.

The information provided in this document is intended for informational purposes only and is subject to change without notice.

**Class 7 Cylindrical Transmission Loss Curve**



**Silencer Design**

- Carbon Steel Service Temp Limits
  - 900° F Continuous
  - 1000° F Intermittent
- 125/150# ANSI Flange Bolt Pattern
- 0.50" NPT Drain
- High Temp Black Paint (rated to 1200° F)
- Continuously Welded Construction

**Silencer Options**

- 304SS, 316SS and 321SS construction
- Aluminum Thermal Spray Coat Finish
- High Performance Ceramic Coating
- Dual Inlet and Outlet Configurations
- Custom Mounting /Structural Upfitting
- Custom Integral Emissions Modules
- Spark Arresting Capable