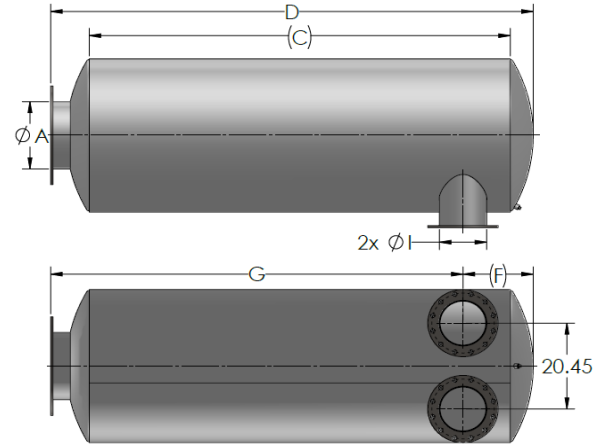
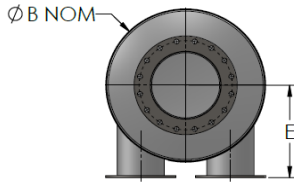


ADVANCED EXHAUST SOLUTIONS

Application

AES Caterpillar engine specific cylindrical silencers offer broad range acoustic performance in a heavy duty, compact package. AES Caterpillar engine specific cylindrical silencers are designed to the unique exhaust and performance requirements of your Caterpillar application.



| Part Number (Click for PDF) | Engine | Inlet Configuration | Inlet Size (I) | Outlet Size (A) | Body Diameter (B) | Body Length (C) | OAL (D) | Spread | E | F | G | Weight | DXF | STEP |
|--------------------------------|----------|---------------------|----------------|-----------------|-------------------|-----------------|---------|--------|----|----|-----|--------|-----|------|
| 000-010-201 | C7.1 | Single | 5 | 5 | 18 | 72 | 80 | --- | 13 | 8 | 72 | 347 | DXF | STEP |
| 000-010-202 | C9 | Single | 6 | 8 | 18 | 72 | 80 | --- | 13 | 8 | 72 | 375 | DXF | STEP |
| 000-010-203 | C15 | Single | 8 | 10 | 26 | 96 | 108 | --- | 17 | 12 | 96 | 642 | DXF | STEP |
| 000-010-204 | C18 | Single | 8 | 10 | 26 | 96 | 108 | --- | 17 | 12 | 96 | 642 | DXF | STEP |
| 000-010-205 | C27 | Single | 10 | 12 | 30 | 108 | 120 | --- | 19 | 12 | 108 | 1030 | DXF | STEP |
| 000-010-206 | C32 | Single | 10 | 14 | 30 | 108 | 120 | --- | 19 | 12 | 108 | 1057 | DXF | STEP |
| 000-010-207 | 3512C | Dual | 8 | 16 | 36 | 120 | 134 | 20.45 | 22 | 16 | 118 | 1503 | DXF | STEP |
| 000-010-208 | 3516C | Dual | 10 | 18 | 42 | 132 | 148 | 20.45 | 25 | 18 | 130 | 1811 | DXF | STEP |
| 000-010-209 | 3516C-HD | Dual | 12 | 20 | 42 | 132 | 148 | 20.45 | 25 | 18 | 130 | 1845 | DXF | STEP |
| 000-010-210 | C175-16 | Single | 20 | 24 | 48 | 144 | 162 | --- | 28 | 20 | 142 | 2769 | DXF | STEP |
| 000-010-211 | C175-20 | Dual | 18* | 26 | 54 | 156 | 174 | 38.50* | 31 | 22 | 152 | 3476 | DXF | STEP |

All silencers are designed to accommodate the engine specific turbo outlet spread, unless otherwise noted.

All dimensions are in inches, all weights are in pounds and are approximate.

Overall insertion loss is approximate, and is system dependent.

The information provided in this document is intended for informational purposes only and is subject to change without notice.

Silencer Design

- Carbon Steel Service Temp Limits
900° F Continuous
1000° F Intermittent
- 125/150# ANSI Flange Bolt Pattern
- 0.50" NPT Drain
- High Temp Black Paint (rated to 1200° F)
- Continuously Welded Construction

Silencer Options

- 304SS, 316SS and 321SS construction
- Aluminum Thermal Spray Coat Finish
- High Performance Ceramic Coating
- Dual Inlet and Outlet Configurations
- Custom Mounting /Structural Upfitting
- Custom Integral Emissions Modules
- Spark Arresting Capable

Class 6 Cylindrical Transmission Loss Curve

